

Wilson's

s t r e e t f u r n i t u r e



Braais and Drinking Fountains



The Annecy



Water Fountain



Braai



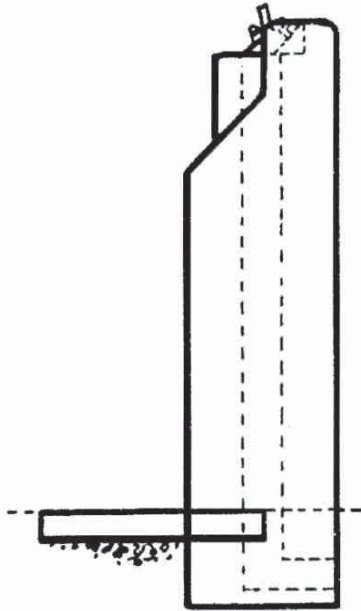
Hermanus Braai

www.wilsonstone.co.za

157 Queen St, Kensington, JHB. Tel: (011) 615 6212, Fax: (011) 616 6531 email: lauren@wilsonstone.co.za

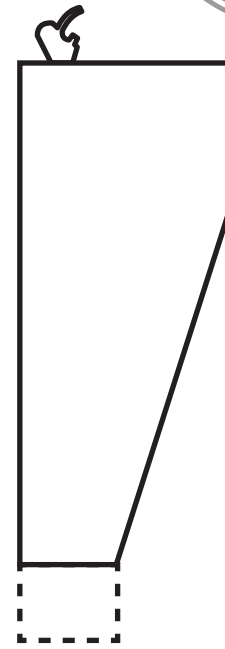
Deliveries Nationwide

Braais and Drinking Fountains



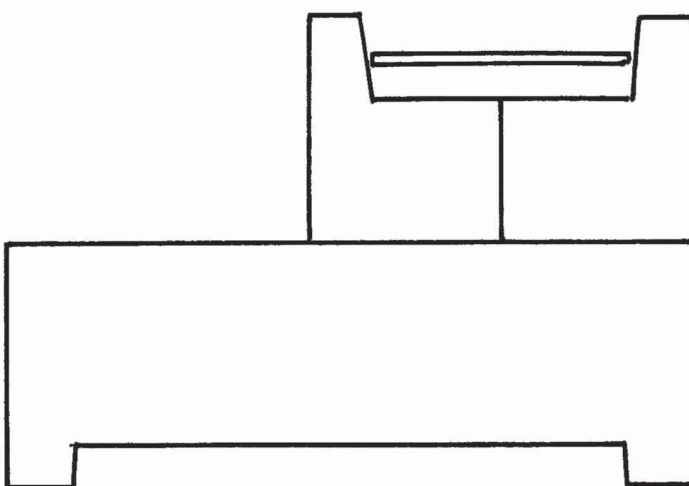
Water Fountain

Height Overall	1200mm
Height above ground	900
Diameter	300
Finish	Galvanised



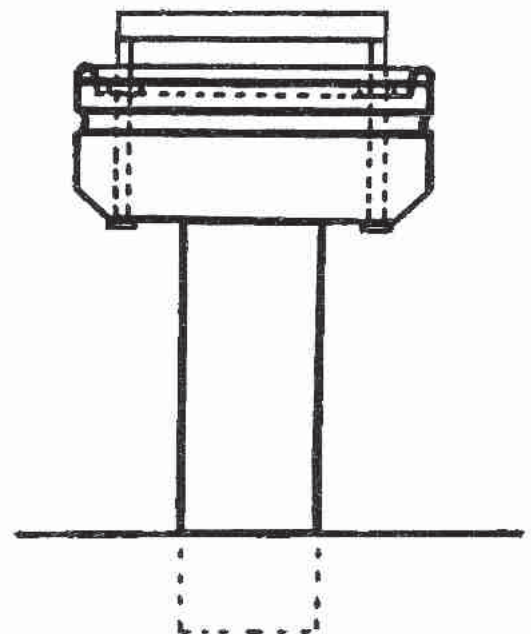
The Anney

Height Overall	1310mm
Height above ground	910mm
Diameter	400mm
Finish	Concrete



Hermanus Braai

Grid Height	570mm
Size	360x360
Length OH	1000mm
Width OH	500mm
Finish	Exposed Aggregate



Braai

Height Overall	950mm
Height above ground	750
Diameter	500mm
Finish	Exposed Aggregate