

WilsonStone

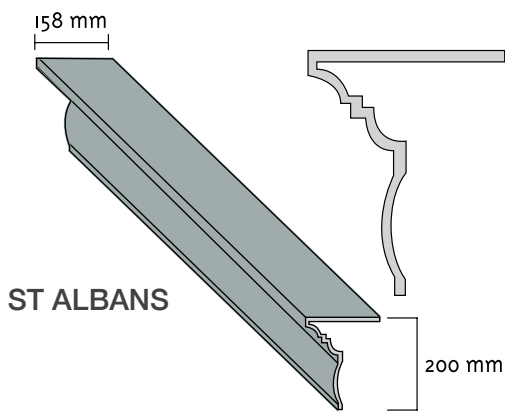
CATALOGUE



**FIBRE CEMENT
PRODUCTS**

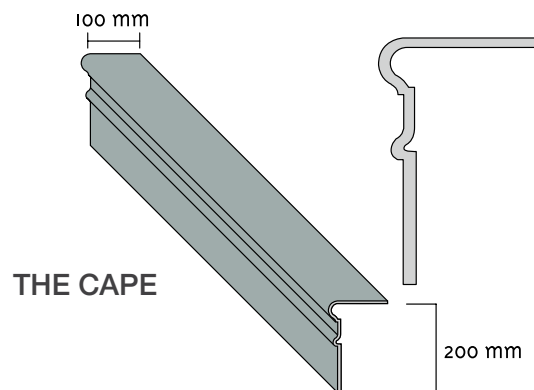
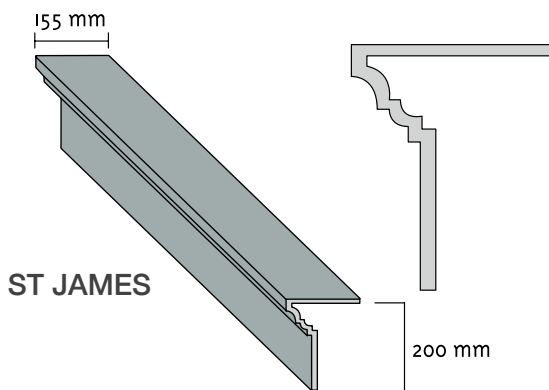
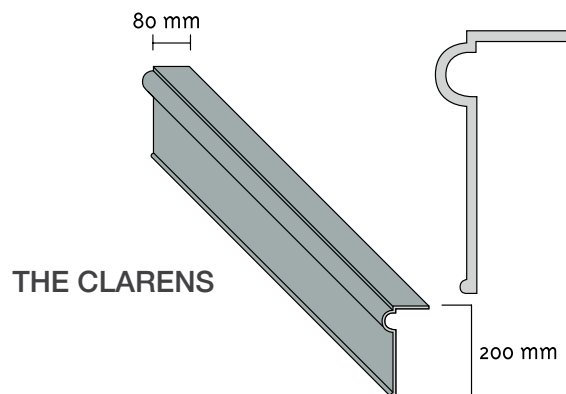
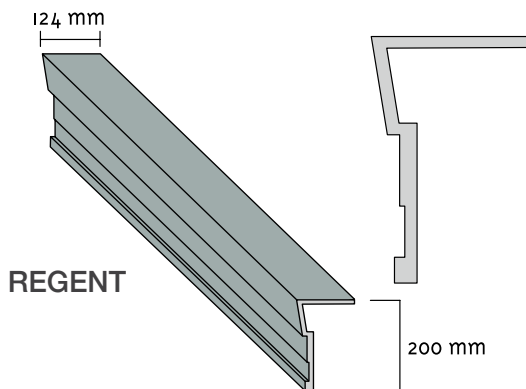
FIBRE CEMENT MOULDED PROFILES

WilsonStone moulded profiles are decorative features which are mounted on the gables of the house, following the pitch of the roof. They are mounted right along the roofline, obscuring the structural details of the roof and adding a decorative accent.



USES

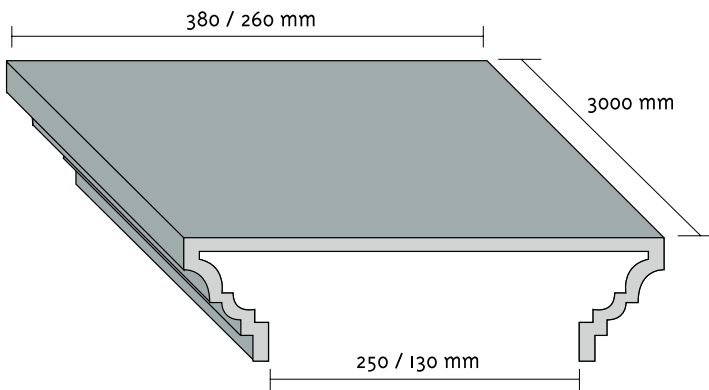
- Barge boards
- String courses
- Copings



WilsonStone

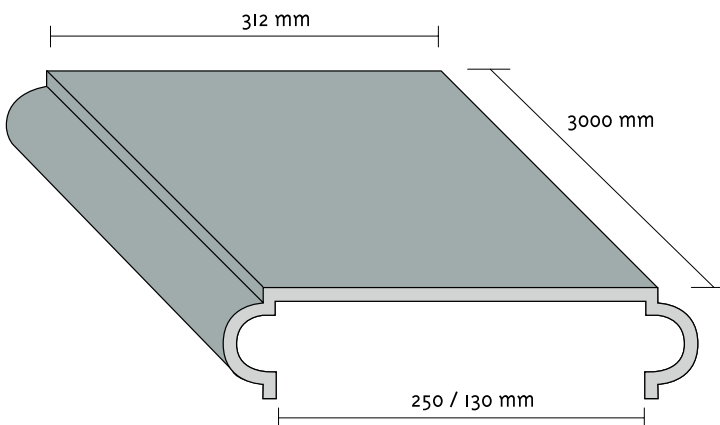
FIBRE CEMENT WALL COPINGS

ST JAMES



- Lightweight, durable & easy to use
- No need for time-consuming & costly plaster work
- Sizes to fit single or double brick course wall
- Cost effective in terms of labour & material savings

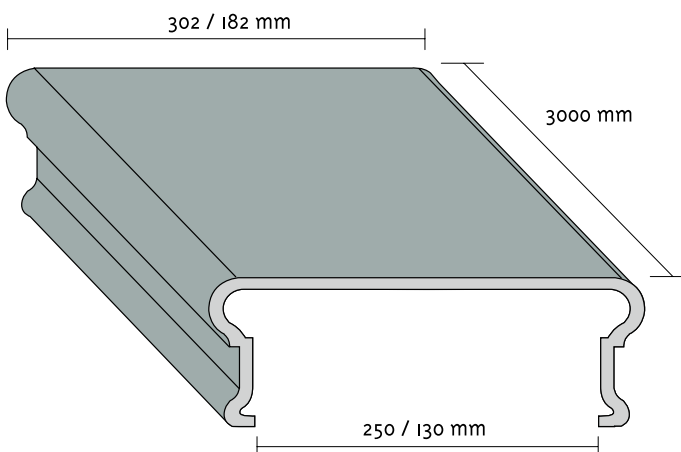
THE CLARENS



FINISH

- Grey concrete finish
- Can be prepared & painted to match plaster wall

THE CAPE



CUTTING

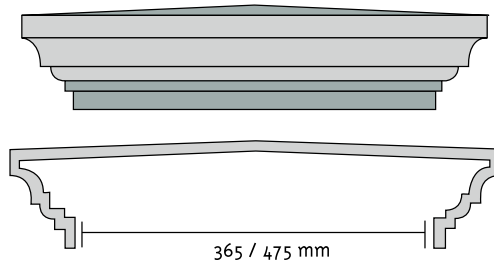
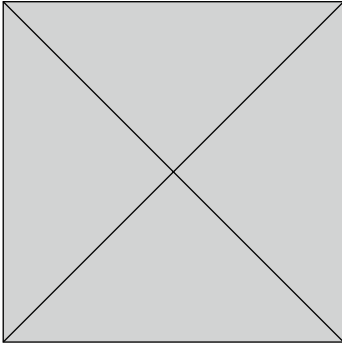
- Copings cut to size with an angle grinder
- Using cutting disc or diamond blade
- Diamond blade is preferred & will last longer

FASTENING

- Coping fastened to wall with mortar mix (as used to lay bricks)
- Polyurethane foam can also be used to fasten coping

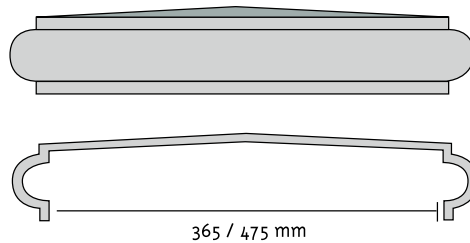
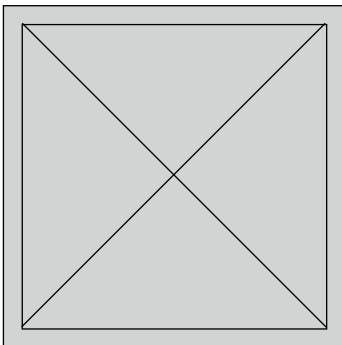
FIBRE CEMENT PILLAR CAPS

ST JAMES



- Lightweight, durable & easy to use
- No need for time-consuming & costly plaster work
- Cost effective in terms of labour & material savings

THE CLARENS



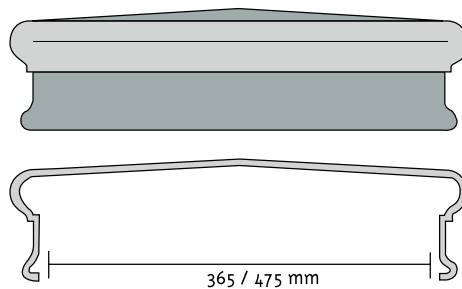
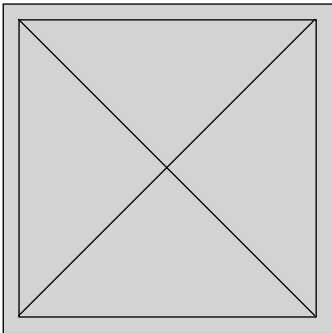
FINISH

- Grey concrete finish
- Can be prepared & painted to match plaster wall

CUTTING

- Caps cut to size with an angle grinder
- Using cutting disc or diamond blade
- Diamond blade is preferred & will last longer

THE CAPE



FASTENING

- Caps fastened to wall with mortar mix (as used to lay bricks)
- Polyurethane foam can also be used to fasten caps