

WilsonStone

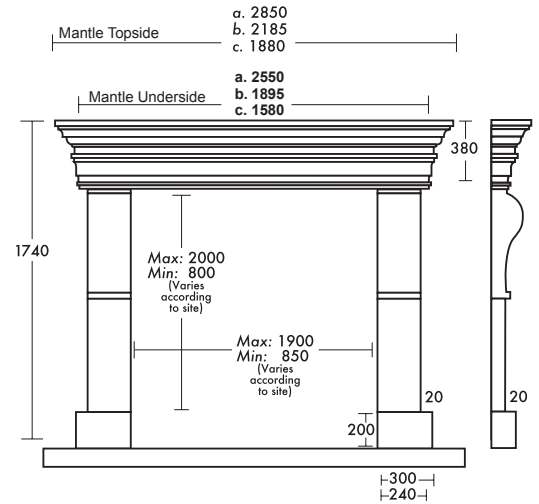
CATALOGUE



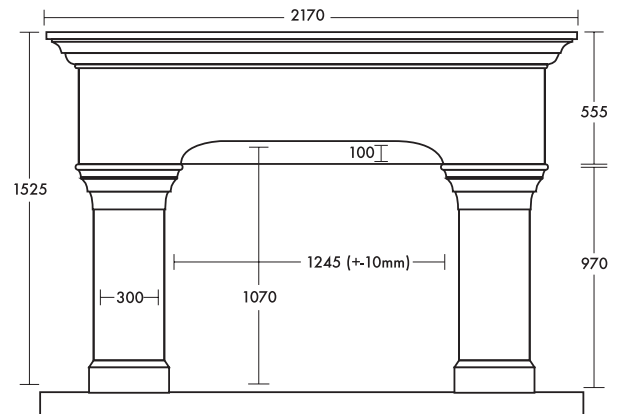
FIREPLACE SURROUNDS

STANDARD SURROUNDS

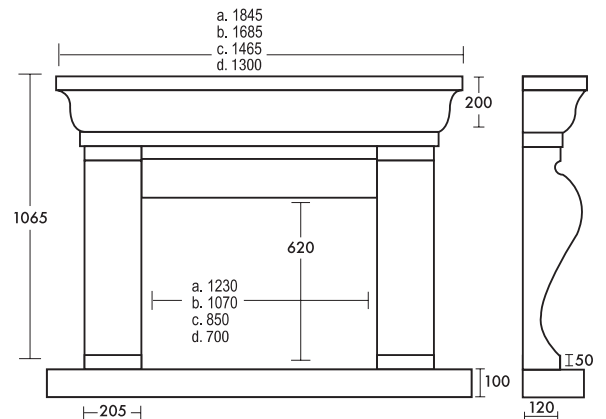
The Athol



The Cranfield

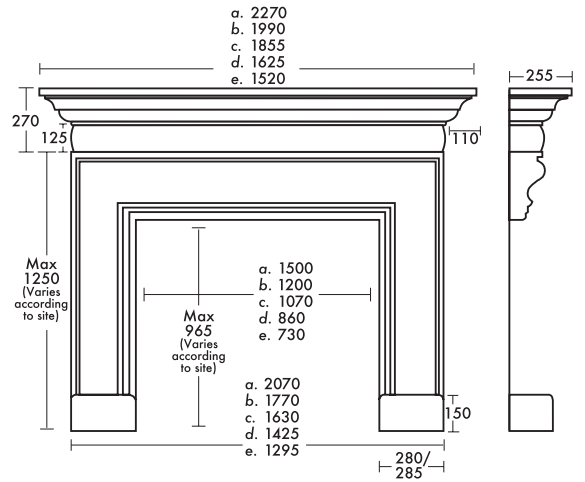


The Knightsbridge

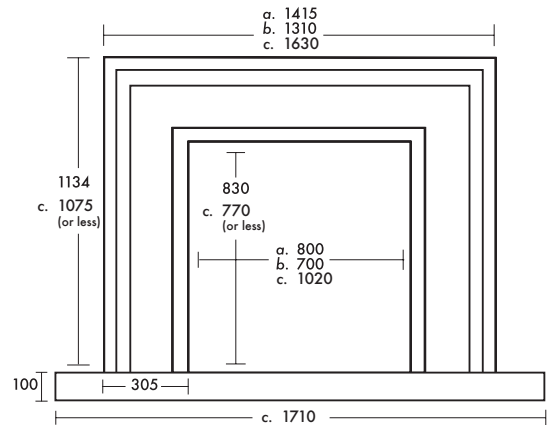


STANDARD SURROUNDS

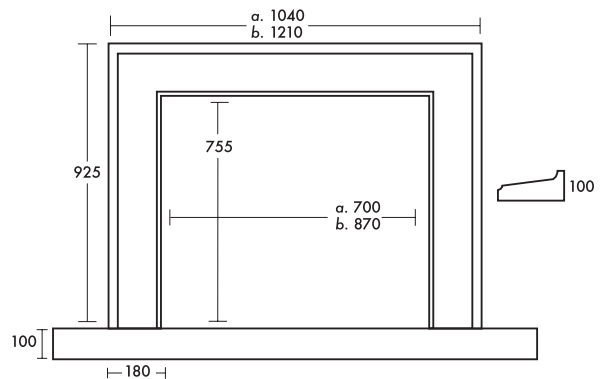
The Pallinghurst



The Waverly

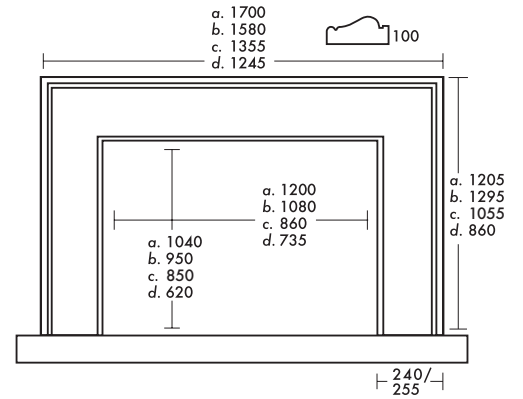


The Dainfern

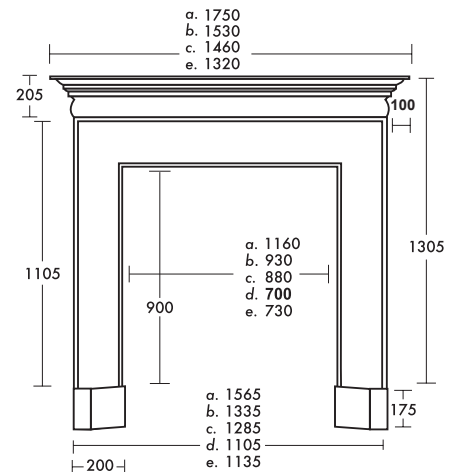


STANDARD SURROUNDS

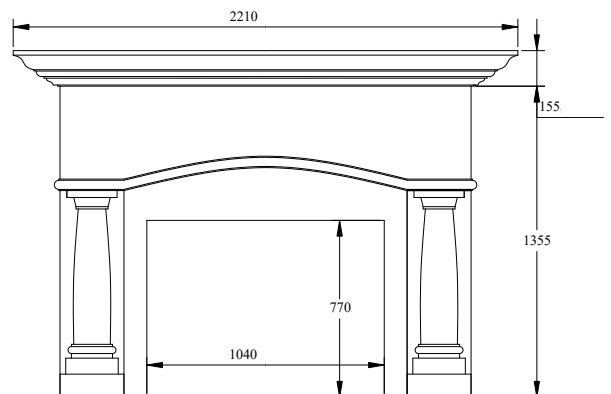
The Oaklands



The Blackmore

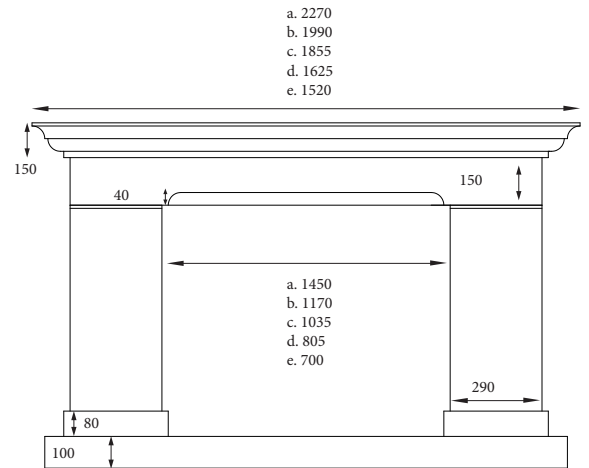
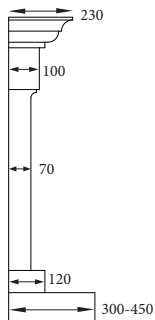


The Erinvale

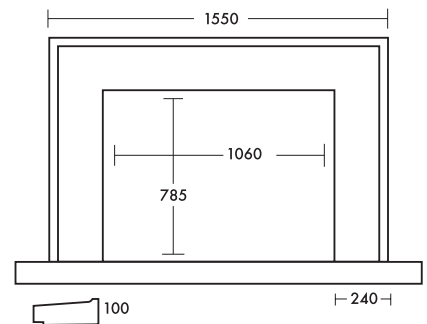


STANDARD SURROUNDS

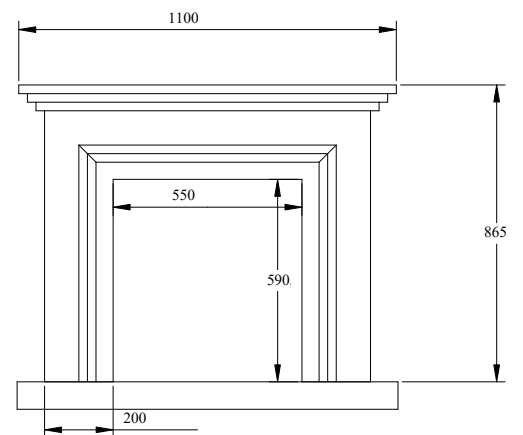
The Stellenbosch



The Parkhurst



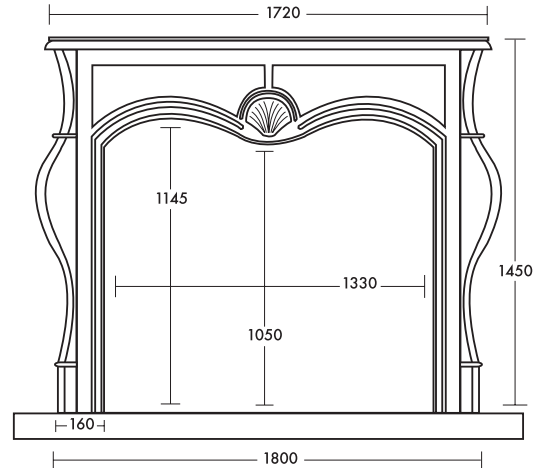
The Illovo



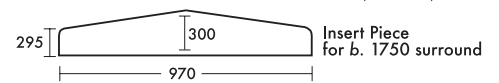
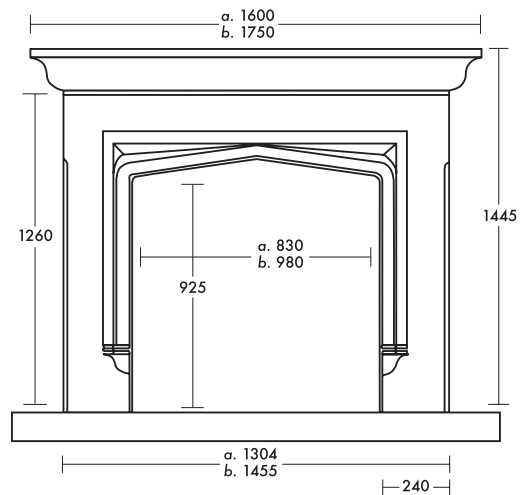
WilsonStone

STANDARD SURROUNDS

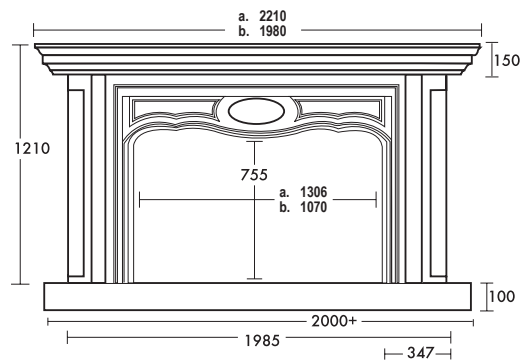
The La Fayette



The Melville

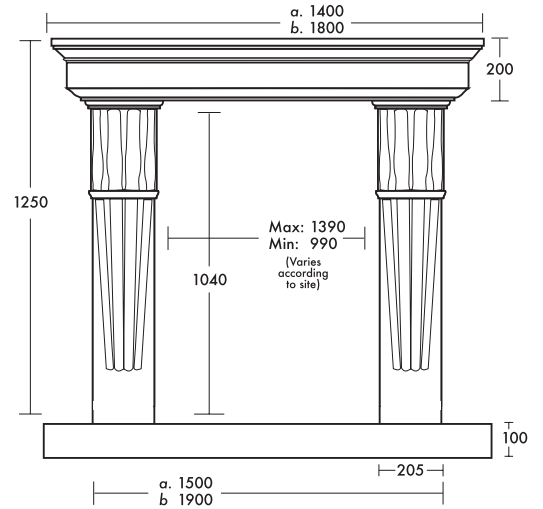


The Sandhurst

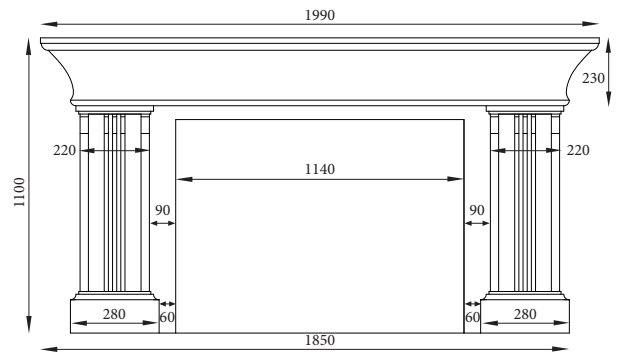


STANDARD SURROUNDS

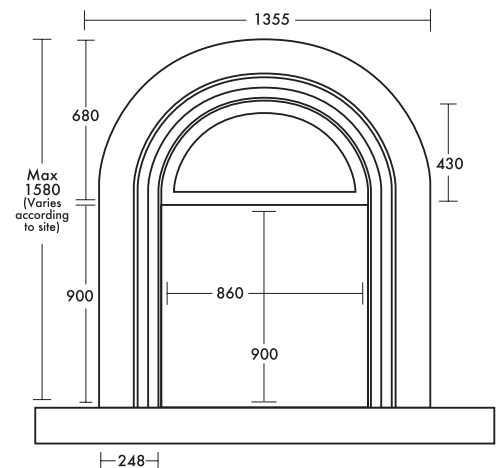
The Cottswold



The Waterfall

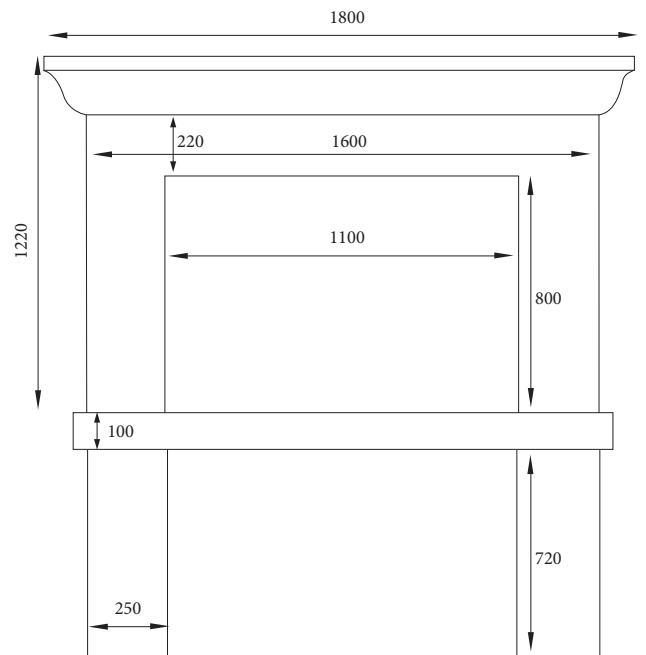


The Abbotsford



WilsonStone

BRAAI SURROUNDS



WilsonStone

CUSTOM DESIGNS

WilsonStone has a dedicated architectural design pattern shop that can create moulds for Custom Fireplace Surrounds, and all other moulded products.

CUSTOM DESIGNS



FINISHES



Limestone

Sandstone

Original

Grey

Charcoal

Whilst WilsonStone cc endeavours to meet customer expectations, colour of products and colour consistency within products supplied by WilsonStone cc cannot be guaranteed due to the natural colour and aggregate size variation of the sand used to produce the relevant products. Samples if provided can therefore only be used as indicators of texture.

FIREPLACE DERIVATIVES

WRAP AROUNDS

The Fireplace Surround is extended to wrap around the chimney breast.

The Athol Wrap Around



The Oaklands Wrap Around with Mantle



The Stellenbosch Wrap Around



MANTLES

The addition of a mantle is added to the original Fireplace Surround, should this be desired. On some fireplaces, mantles can be adjusted to exclude the “bulge”, such as the Blackmore.

The Oaklands with Mantle



The Oaklands without Mantle



The Blackmore with “bulge” below Mantle



The Blackmore without “bulge” below Mantle



FIREPLACE DERIVATIVES

MANTLES

The Pallinghurst with
“bulge” below Mantle



The Pallinghurst without
“bulge” below Mantle



The Pallinghurst with
‘Key Stone’ Mantle



Pallinghurst with Re-
verse Mantle



FEET

Feet can be added to the base of some of the Fireplace Surrounds.

The Dainfern without feet at base



The Dainfern with feet added at base



FIREPLACE INSTALLATION

MATERIALS USED:

- Wide Masking Tape
- Plastic sheeting
- Expanding Foam Glue
- Grouting
- Utility Knife with Snap Off Blade cut excess foam from surrounds when dry
- Spirit Level
- Wooden struts /supports, to secure fireplace surround in place whilst glue is drying
- Sponge and water for cleaning afterwards



INSTALLATION INSTRUCTIONS

1. The fireplace area surrounding the fire box needs to be plastered and painted in the areas where the surround is to be placed
2. Remove any wall skirting that might interfere with the plinth or surround
3. Ensure that floor below the fireplace is covered in black plastic to protect it from work to be carried out and secured
4. Where the plinth and fireplace are to come into contact with the wall of the fireplace (i.e. the back and bottom edges), mask the sides adjacent to the edge so that excess foam does not stick to the surround or plinth during installation
5. Position and level the plinth and fireplace and check for fitment before glueing into position
6. First install and secure the plinth with foam to the wall concerned, ensuring that it is centrally positioned and allow to dry for approximately 2 hrs.
7. Cut off excess foam
8. Position, level and secure the fireplace surround by applying foam to the back and bottom edges
9. Prop the surround to the wall with wooden struts as shown in the photograph and let the foam dry for approximately 3 hours
10. Remove props, cut off excess foam and remove all protective masking tape
11. Grout all joints
12. Clean off any dirt or excess grout with a sponge and water
13. Reinstall skirting